



DAKOTA
FABRICATING INC.

Mining Services


Services



Plant Optimization

Plant Startup and Commissioning

Material Sampling and Gradation Analysis

AggFlow Analysis 

Engineering & Design of Equipment

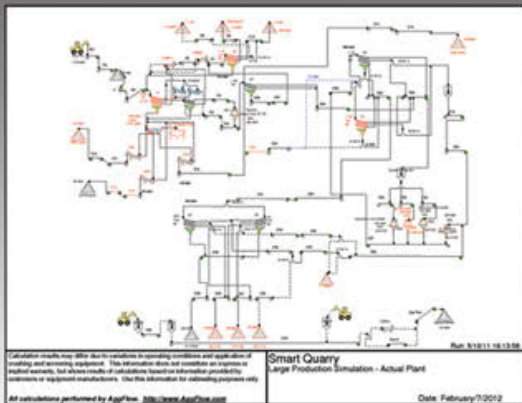
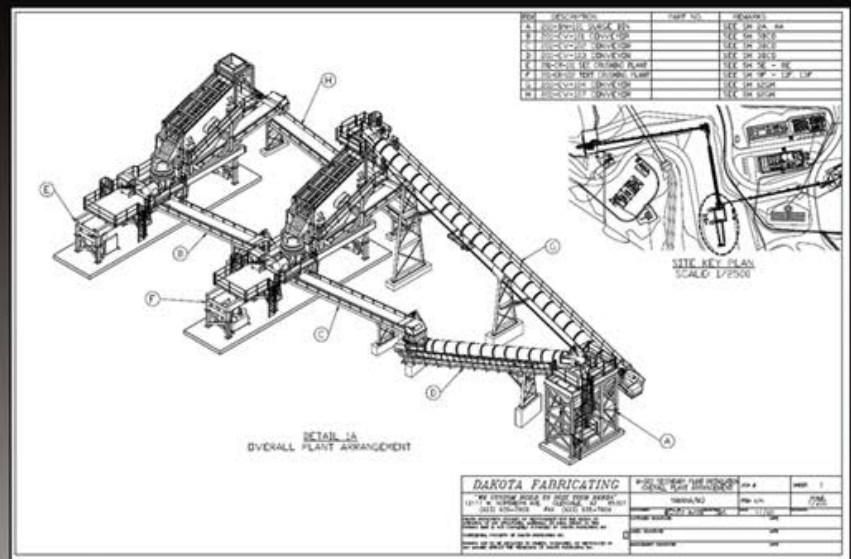
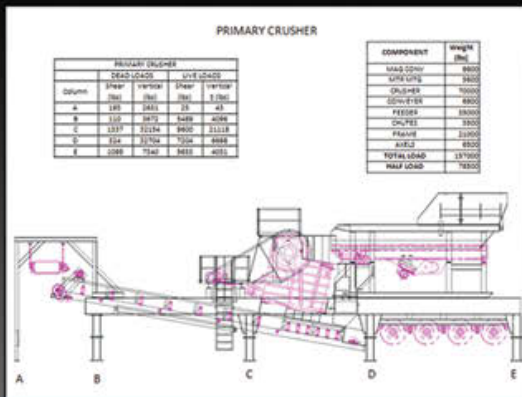
Complete Fabrication of Equipment

Static and Dynamic Load Analysis

Plant Layout and Consultation

Logistics

Engineering & Design



(Top left) Dynamic Load Analysis of Primary Crushing Plant

(Top right) Sample Layout of Secondary, Tertiary Circuit

(Bottom left) AggFlow Analysis Diagram

- Conceptual Layouts and Technical Reviews
- Custom Infrastructure Design and Fabrication
- Pre-Feasibility and Feasibility Studies for Equipment Selection and Budgetary Assessment
- Structural Interpretation including Static and Dynamic Load Analysis
- Permit Assistance and MSHA Compliance
- Logistics Capability Assessments
- Research and Development

Mercedes Mine Yamana Gold



Scope of Work: Design and Fabricate Custom Primary, Secondary, Tertiary Circuit to interface with existing system.

- Commissioning and Operation Training of Staff and Personnel
- Production and Quality Assurance Assessments
- Modular Turn-Key Plant Design
- Implementation of Emergency Shut-Off Equipment
- Enhanced Safety Features Incorporated in Project Design
- Logistics
- After Sale Support (including ongoing consumable wear media)

Campo Morado Minera Meridian Minerale



Scope of Work: Design and Fabricate Primary Crushing Circuit for the Campo Morado Mine.

- Pre-Feasibility through Commissioning
- Site Evaluation
- Processing Lead-Zinc Ore
- Stability Assessment
- Logistics
- After Sale Support (including ongoing consumable wear media)

Guanacevi Mine Endeavor Silver



Scope of Work: Design and Fabricate Primary Module with a Material Transfer System to a pre-existing Mill.

- Turn-key Plant Construction
- Feasibility Studies (including general arrangement and AggFlow analysis)
- Commissioning and Start-Up Consultation
- Production Assessment
- Logistics

Dakota's Core Values



Ethics – It is our firm belief as an organization and as individuals that we would act in accordance to “Golden Rule”, regarding others as we wish to be treated, conducting our business in all aspects with honesty and integrity.

Performance & Innovation – The fundamental elements of our efforts, continually raising the bar, pursuing the development and production of safe equipment with sustainable performance and long lasting competitive advantages as a result.

Entrepreneurship – We are determined to tenaciously seek new opportunities and provide innovative solutions to the ever changing needs and challenges of our industry worldwide, in order to perpetuate the growth and influence of Dakota Fabricating Inc.

Customer Focus – Our goal is to listen, design and create a product that meets the customer’s needs and exceeds their expectations.

People – The most valuable asset to Dakota Fabricating is people. The opportunities and pathways to success are equally offered to all and all are regarded as equal.

Teamwork – Understanding everyone’s role and communication are critical in decision making and focusing our efforts, the key and foundation of our ability to set and achieve our goals.

Economic, Social and Environmental Responsibility – Three elements that require balance and are constantly in mind as we develop and produce sustainable solutions to those demands.

Life and Safety – Safety comes first. People are more important than results or material things. We will never make a choice where the safety of another’s life is compromised.

Dakota Pride – We support our families, communities and our country by utilizing components, and producing equipment, made here in the United States of America. Supporting the quality and integrity that people have come to expect the world over.



DAKOTA FABRICATING INC

12111 W. NORTHERN AVE, GLENDALE, AZ. 85307

TOLL-FREE: 1.866.375.8433

www.dakotafab.com